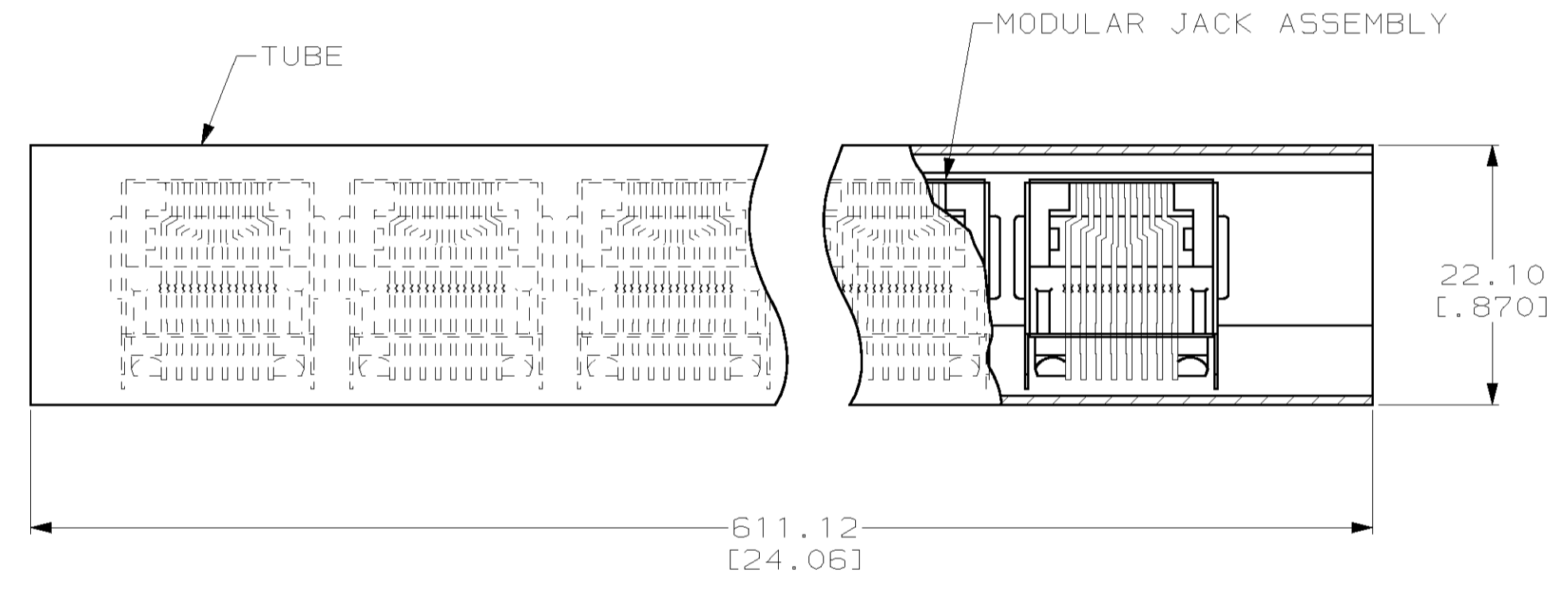
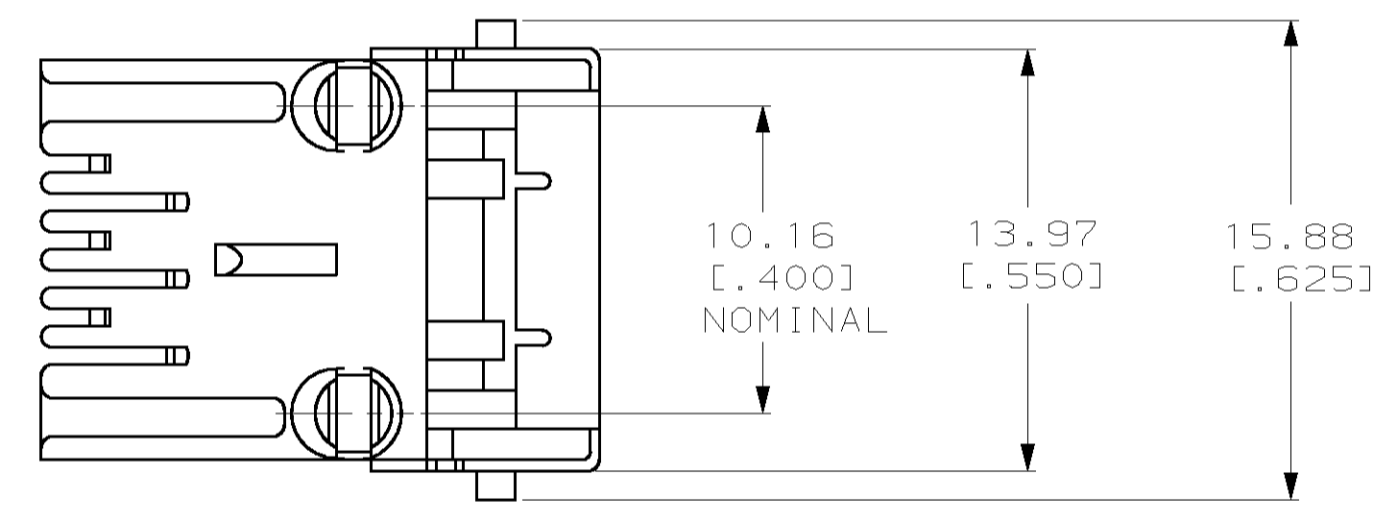
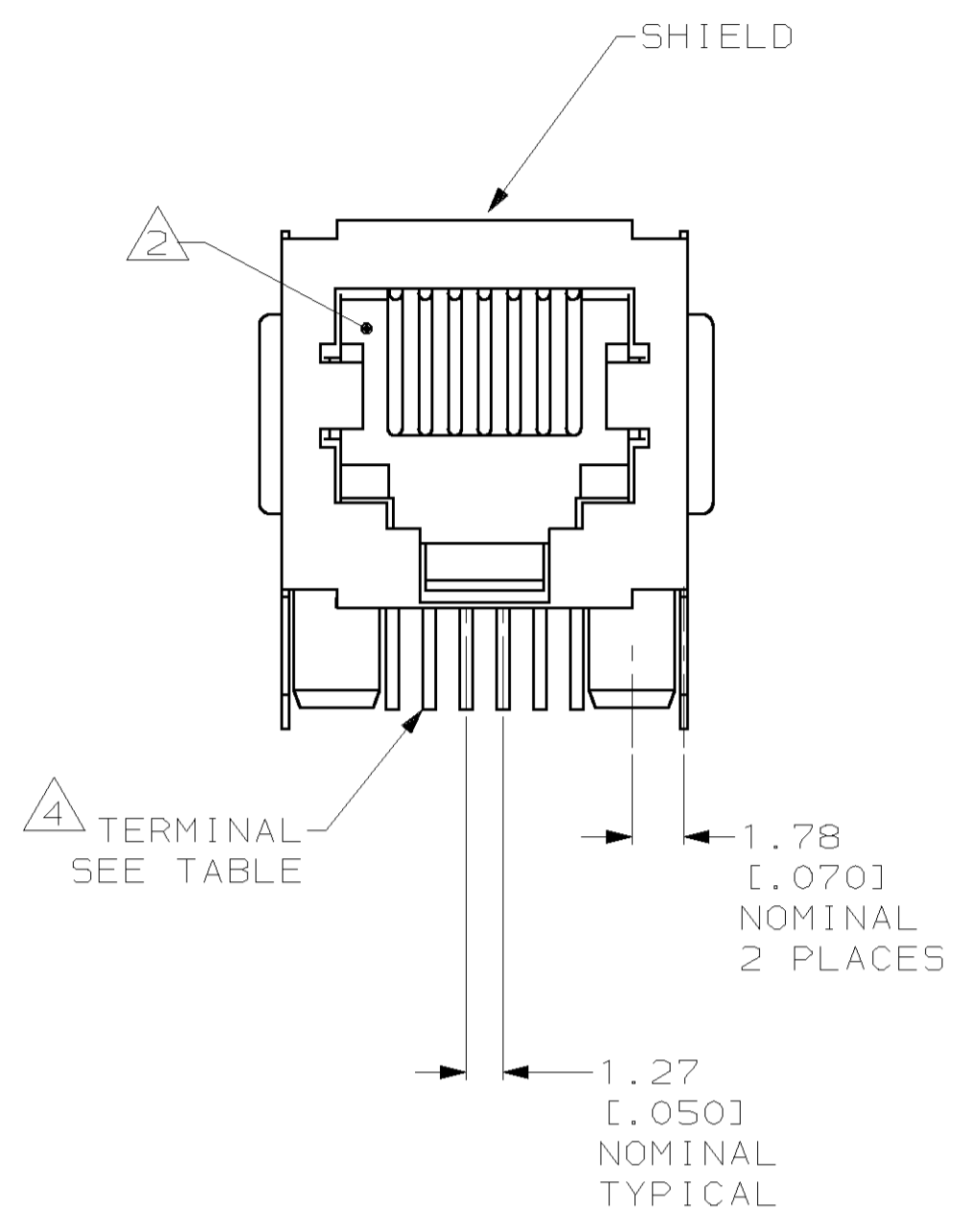
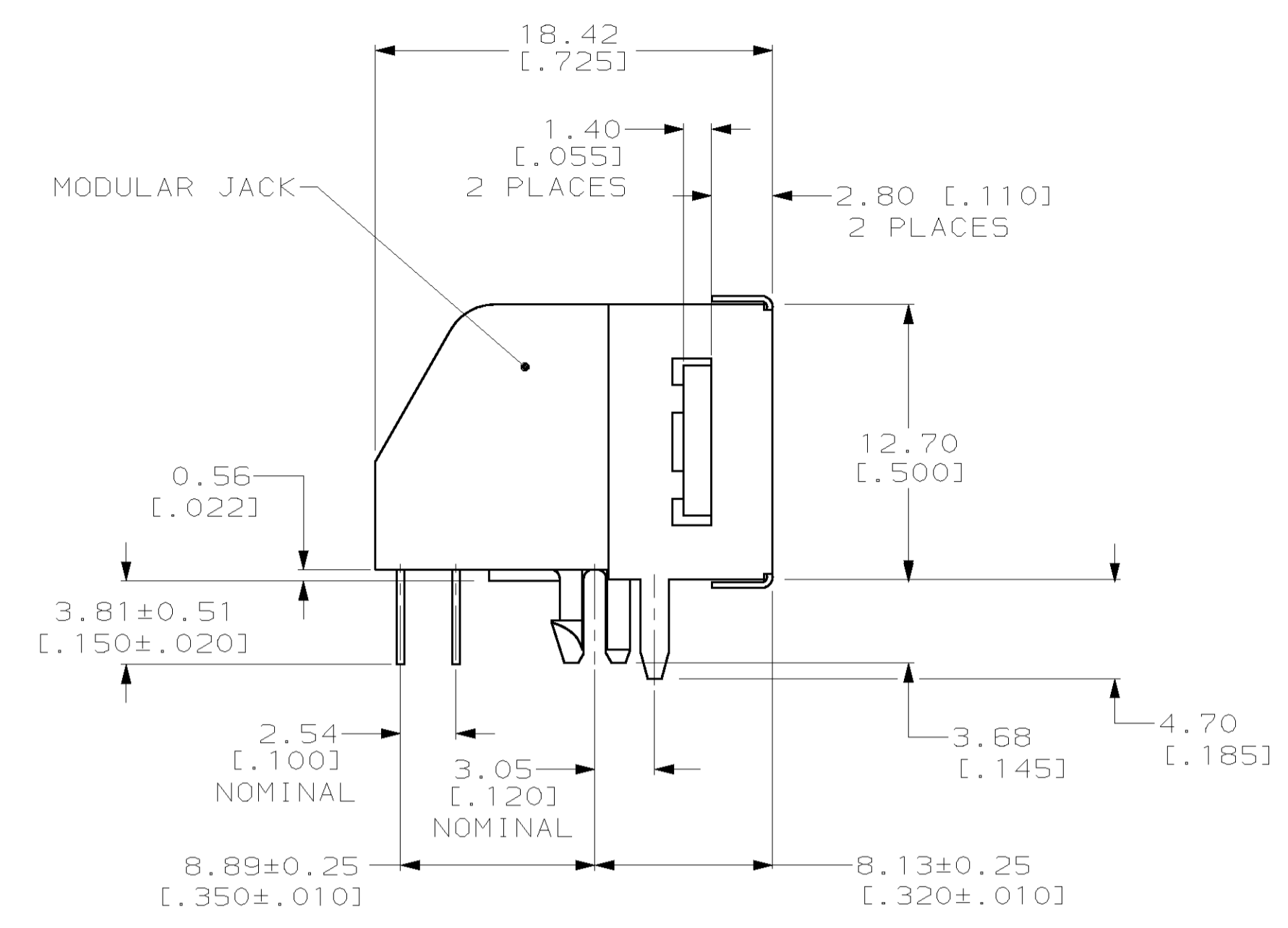
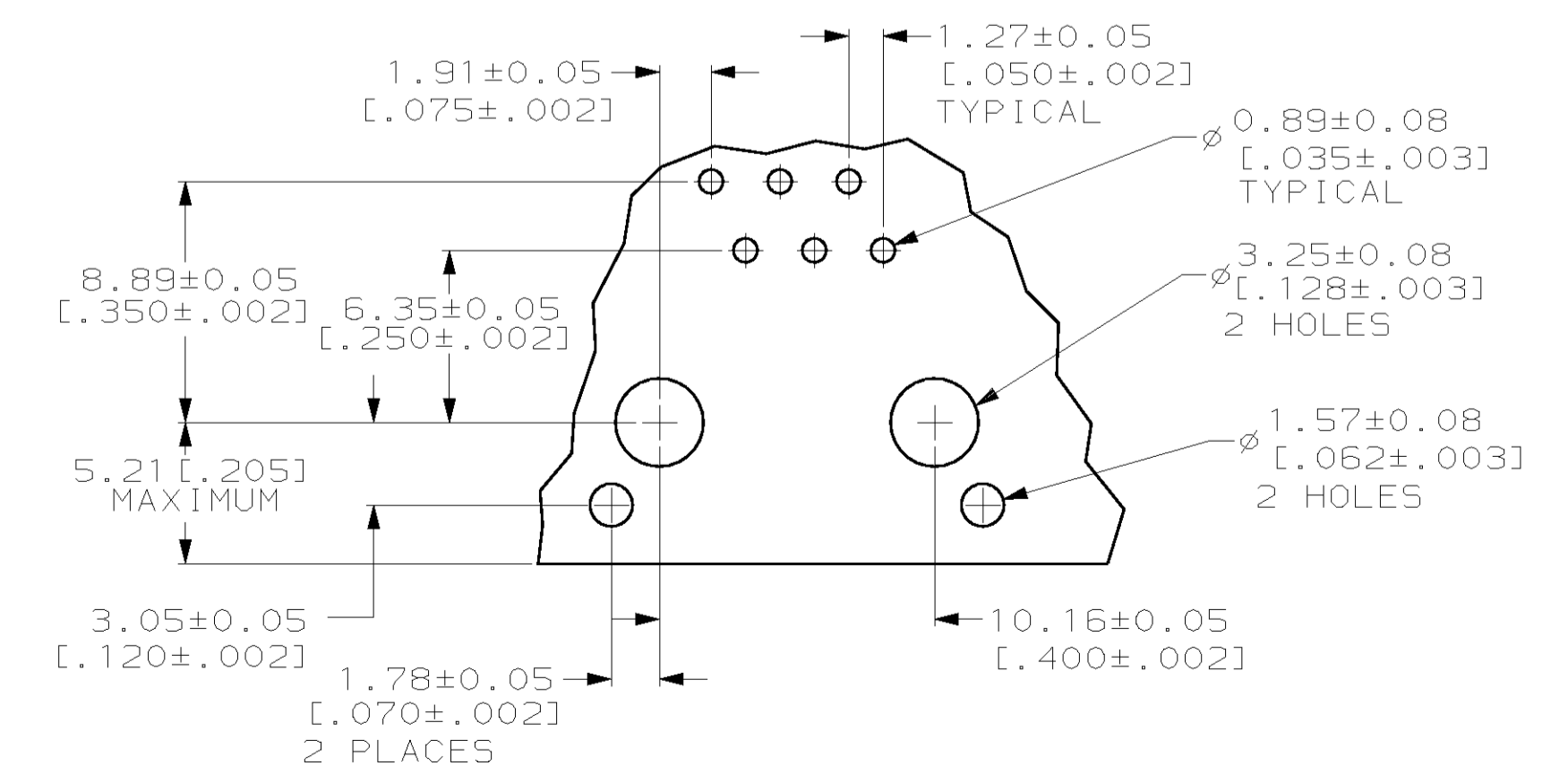


| LOC | DIST | REV | DATE    | BY  | APPV |
|-----|------|-----|---------|-----|------|
| AA  | 22   | F   |         |     |      |
| G   |      |     | 26FEB01 | DLD | CMB  |

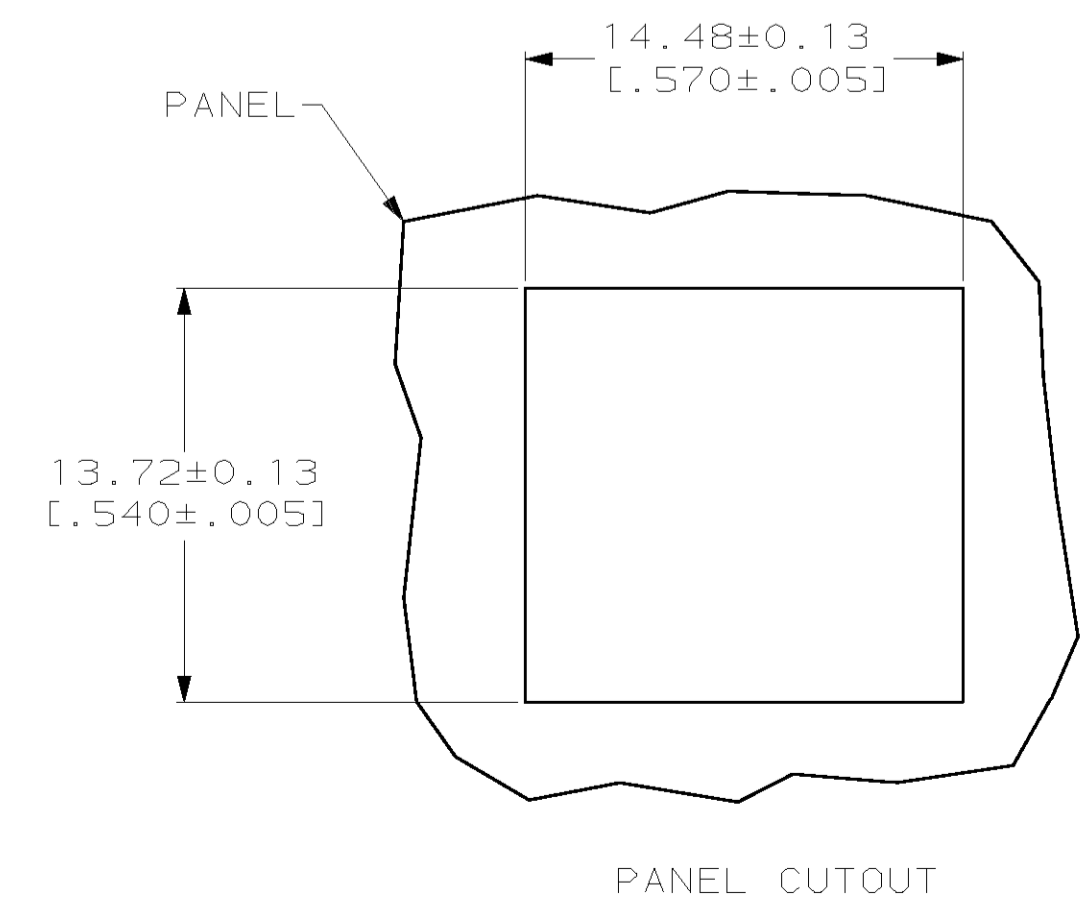
- REVISIONS
- 1. MATERIAL: HOUSING-PBT POLYESTER, BLACK.  
 TERMINAL-.0138 THICK PHOS-BRONZE PLATED WITH .000050 THICK HARD GOLD IN LOCALIZED GOLD PLATE AREA AND .000080 THICK TIN LEAD IN SOLDER AREA OVER .000050 THICK NICKEL UNDERPLATE SHIELD-.010 THICK COPPER ALLOY, TIN-LEAD PLATED.
  - 2. CAVITY CONFORMS TO FCC RULES AND REGULATIONS PART 68, SUBPART F.
  - 3. ALL DIMENSIONS SHOWN ARE MAXIMUM UNLESS OTHERWISE SPECIFIED.
  - 4. TERMINALS FOR 555154-2 LOCATED IN CENTER POSITIONS.
  - 5. BULK PACKAGED IN TRAYS.
  - 6. PACKAGED 36 ASSEMBLIES PER TUBE. SEE DETAIL "A".



DETAIL A  
SCALE 2:1



SUGGESTED PRINTED CIRCUIT BOARD MOUNTING HOLE LAYOUT  
VIEW SHOWN AS COMPONENT SIDE OF BOARD



PANEL CUTOUT

| PACKAGE | TERMINALS REQUIRED | PART NUMBER |
|---------|--------------------|-------------|
| 6       | 6                  | 555154-4    |
| 4       | 4                  | 555154-2    |
| 6       | 6                  | 555154-1    |

THIS DRAWING IS A CONTROLLED DOCUMENT.

|  |  |   |
|--|--|---|
| DWG: S. GARRETT  | 7-13-95                                | AMP Incorporated<br>Harrisburg, PA 17105-3608 |
| CHK: N. JONES  | 8-25-95                                |   |
| APPV: J. TONEY   | 9-01-95                                |   |
| NAME: MODULAR JACK ASSEMBLY, SHIELDED, 6 POSITION, LOW PROFILE, RIGHT ANGLE, PRINTED CIRCUIT BOARD GROUND WITH PANEL STOPS |  |   |
| DIMENSIONS: mm [INCHES]  | TOLERANCES UNLESS OTHERWISE SPECIFIED: | PRODUCT SPEC: 108-1163                        |
| 0 PLC ±  | 1 PLC ±                                | APPLICATION SPEC: 114-2048                    |
| 2 PLC ±  | 3 PLC ±                                | SIZE: A1                                      |
| 4 PLC ±  | ANGLES ±                               | CAGE CODE: 00779                              |
| MATERIAL: △  | FINISH: △                              | WEIGHT: -                                     |
| CUSTOMER DRAWING   |  | SCALE: 4:1                                    |